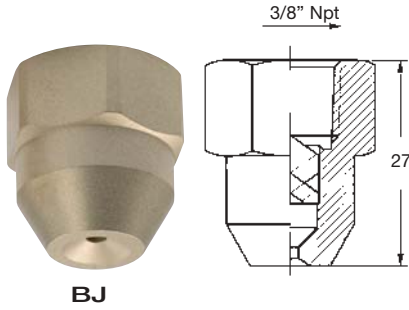


CONTINUOUS CASTING

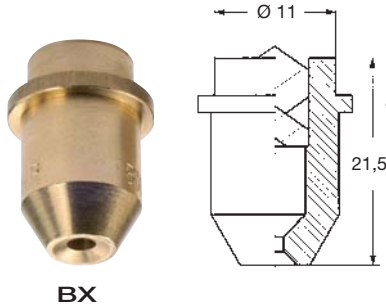
BX / BJ

FULL CONE NOZZLES / X- VANE



Used in continuous casting, these nozzles are available as a tip or with female threads. They offer the same design based on an X type vane as the DB series nozzles. BJ nozzles are also available, on request, in a variety of spray angles and flow rates and in different materials.

Materials T1 Brass
B1 AISI 303 Stainless steel on request



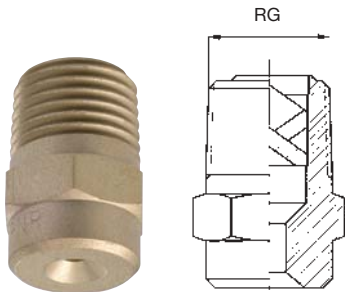
Tip Code	D mm	Nozzle capacity at different pressure values (gpm) (psi)						Spray angle (deg) at pressure (psi) values		
		15	30	45	60	75	90	15	45	90
• 1149 xx	1.2	0.24	0.33	0.39	0.46	0.50	0.56	50	50	46
• 1223 xx	1.5	0.36	0.49	0.59	0.68	0.74	0.83	65	65	49
• 1262 xx	1.6	0.42	0.57	0.69	0.80	0.87	1.00	50	50	46
• 1372 xx	2.0	0.60	0.80	1.00	1.14	1.24	1.39	65	65	59
• 1508 xx	2.3	0.78	1.08	1.34	1.55	1.61	1.90	50	50	46
• 1626 xx	2.9	1.09	1.40	1.66	1.91	2.16	2.34	60	60	55
• 1743 xx	2.9	1.30	1.66	1.97	2.27	2.57	2.80	66	67	61



X VANE

X vanes are a very popular design in steelworks as well as in many other industrial processes. Their simple design is based on two sloping flats which induce a whirl action into the fluid going through the nozzle, and on two small slots cut into each flat to allow the full cone pattern to form. All vanes are secured in place, so as not to leave the nozzle body in case of dimensional change due to high temperature or sudden vacuum condition in the feed pipe.

BG



BG series hydraulic nozzles are widely used in the first cooling zone of continuous casting machines, with overlapping patterns to minimize temperature gradients and reduce the risk of crack formation.

Their simple two-piece construction, body and internal vane, offer good resistance to clogging, competitive price and short delivery times make them an excellent choice for the steelwork engineer.

Materials T1 Brass
B1 AISI 303 Stainless steel
B31 AISI 316L Stainless steel

The range shown here includes the types sold most frequently to steel plants. Our range of BG full cone nozzles is much wider and is fully listed in our General Purpose Nozzles Catalog.

CODE	ANGLE
BGQ	60°
BGR	65°
BGS	70°

Tip Code	RG inch Npt	Nozzle flow values at different pressure values (gpm) (psi)							
		15	20	30	40	60	80	100	
• 1469 xxSN	1/8	0.73	0.85	1.04	1.20	1.22	1.41	1.58	
• 1480 xxSN	1/4	0.77	0.88	1.08	1.25	1.53	1.77	1.98	
• 1585 xxSN		0.92	1.06	1.30	1.50	1.84	2.12	2.37	
• 1658 xxSN		1.04	1.20	1.47	1.70	2.08	2.40	2.69	
• 2110 xxSN		1.84	2.12	2.60	3.00	3.67	4.24	4.74	
• 2111 xxSN	3/8	1.84	2.12	2.60	3.00	3.67	4.24	4.74	
• 2144 xxSN		2.25	2.59	3.18	3.67	4.49	5.19	5.80	
• 2156 xxSN		2.45	2.83	3.46	4.00	4.90	5.66	6.32	